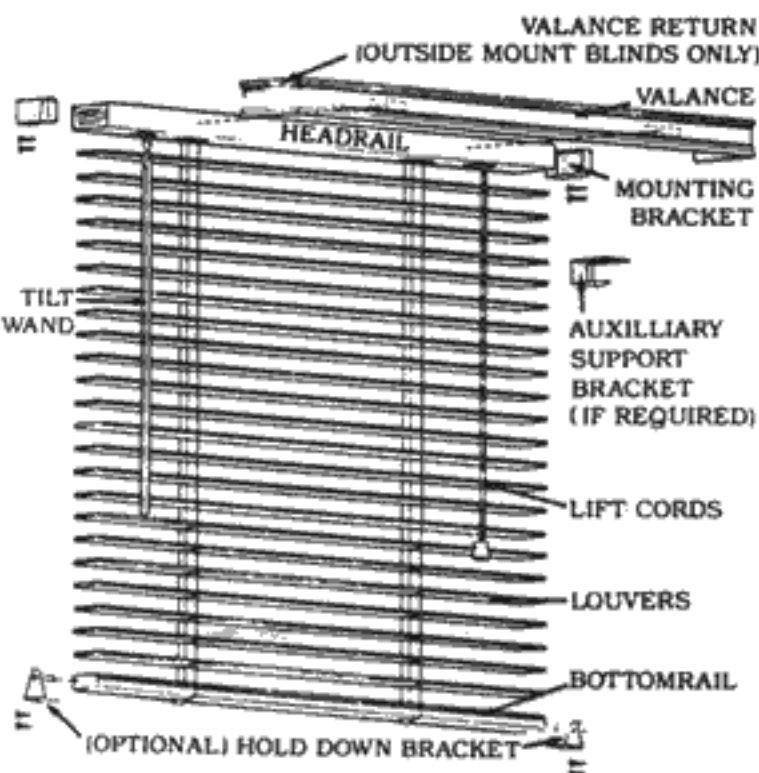


How to Install

Guaranteed Classic Wood, Cosmo Wood, and Metro Wood

Congratulations on your purchase of a quality blind. Your blind has been custom made to your specifications and is one of the finest window treatments available. Before you unwrap your blinds, please take a few moments to read these instructions. With careful installation and periodic cleaning your blind will provide you with many years of trouble free service.



Your wood blind includes the following:

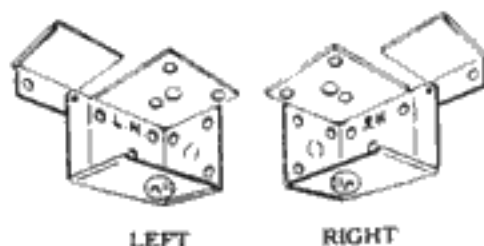
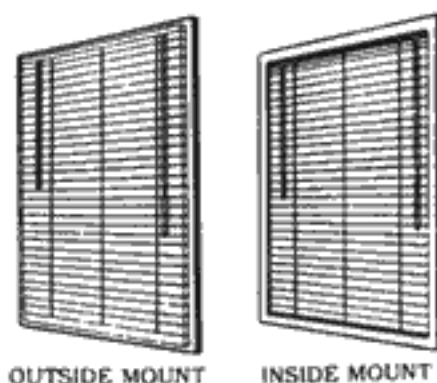
- two installation brackets
- mounting screws
- a wand
- a valance
- auxiliary support brackets if your blind requires them (48" or wider)
- Optional hold-down brackets are included if you ordered them

To install your blind you will need the following tools:

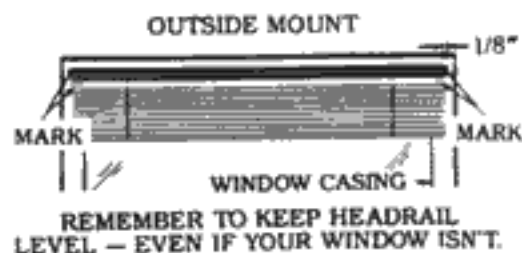
- pencil
- screwdriver with medium size blade
- drill
- 7/64" drill bit, or a hammer and finishing nail
- scissors
- level (optional)
- 1/16" drill bit

INSTALLATION INSTRUCTIONS

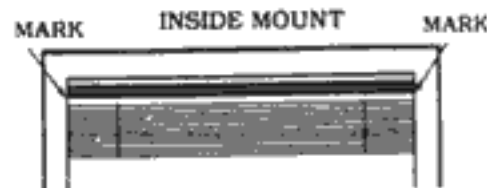
Unwrap the blind. Do not untie its cord at this time. Hold the blind against the window to determine proper placement. It will either fit inside the window casing (inside mount) or outside on the window casing or wall (outside mount). This will determine where and how your installation brackets should be attached. Note that the brackets are marked R.H. (Right Hand) and L.H. (Left Hand).



If your blind is to be installed as an outside mount, hold the blind level and center against the window casing. Mark the casing with a pencil just below the headrail on each end. Also mark the window casing 1/8" beyond the ends of the headrail. The right and left installation brackets will be placed on these marks.



For an inside mount, make certain the headrail is level and clear of obstructions. Make pencil marks below the headrail on each end. The right hand and left hand installation brackets will be placed on these marks.



Remember to keep headrail level—even if your window isn't!

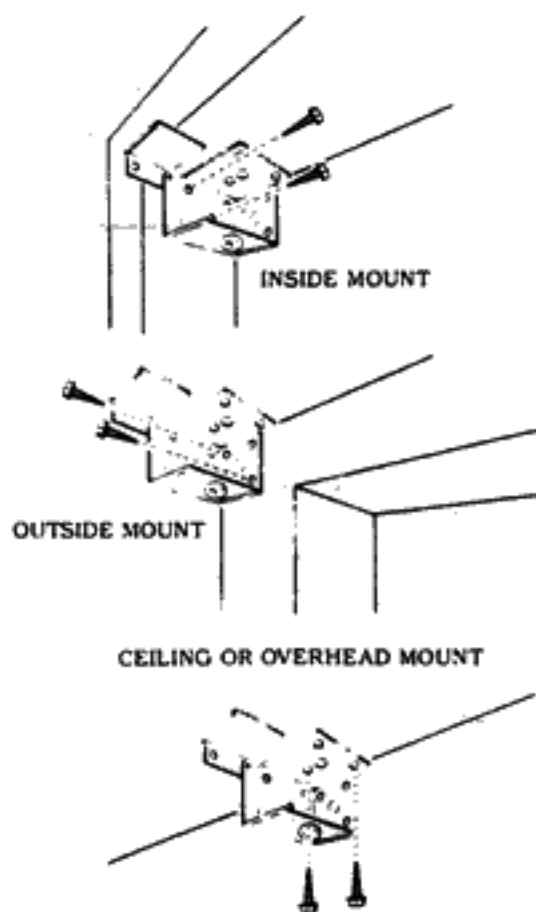
For a Ceiling or Overhead Mount, hold the blind against the ceiling centered in front of the window and make pencil marks 1/8" beyond the ends of the headrail. The right and left installation brackets will be placed on these marks.



MOUNTING INSTALLATION BRACKETS

The brackets may be mounted using two screws in several different orientations depending upon your needs:

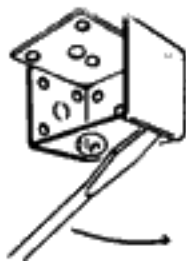
- a. Inside the jambs (inside mount).
- b. To the outside face of the window casing or wall (outside mount).
- c. Overhead: either to the top inside of the window frame (inside mount) or to the ceiling (outside mount).



HINT: Smearing a little bar soap on the screw threads will make them drive more easily.

Open the bracket's swivel cover with a screwdriver. Hold the bracket against the mounting surface and align it with the pencil marks. Using a pencil, mark the location of two diagonal holes for the mounting screws. You may drill holes for the screws using a 7/64" drill bit, or if a drill is not available, use a finishing nail and a hammer or an awl to make small holes to start the screws. Keep the screws at least 1/4" from the edge of the wood to prevent it from splitting.

OPEN COVER
WITH SCREWDRIVER



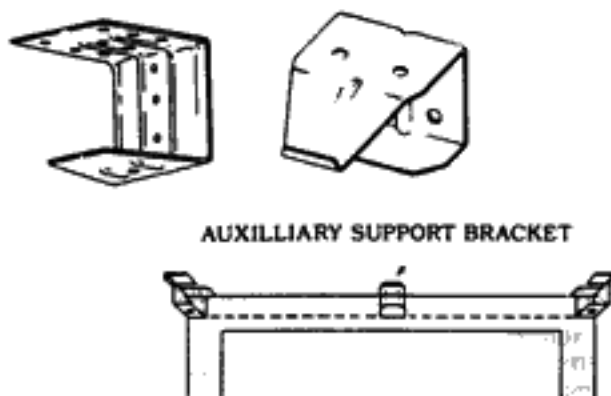
If the mounting surface is metal, you must pre-drill holes for the screws. Use a 1/8" steel drill bit.

If the surface is brick, tile, stone, or concrete, it will be necessary to use a carbide drill and suitable anchors, plugs, or screws.

Plaster and wallboard need pre-drilled holes for anchors or plugs. Follow manufacturer's recommendations for these types of fasteners.

AUXILLIARY SUPPORT BRACKETS

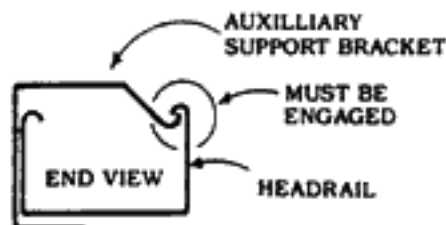
If an auxiliary support bracket is included with your blind it should be placed in line with the installation brackets.



The auxiliary support should not be in line vertically with the blind's cord or ladder as it may interfere with the blind's lifting and tilting mechanism.

HEADRAIL INSTALLATION

Insert the headrail into the mounting brackets. If an auxiliary support bracket is used, be sure that it is properly engaged with the headrail.

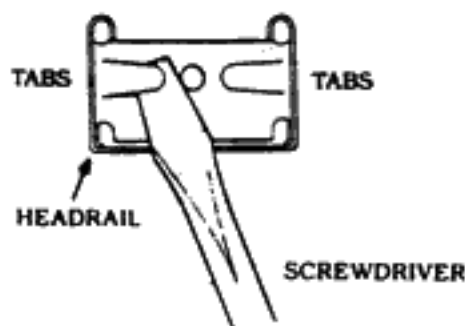


Close the swivel covers to lock the headrail in place.

INSERT HEADRAIL AND CLOSE COVERS

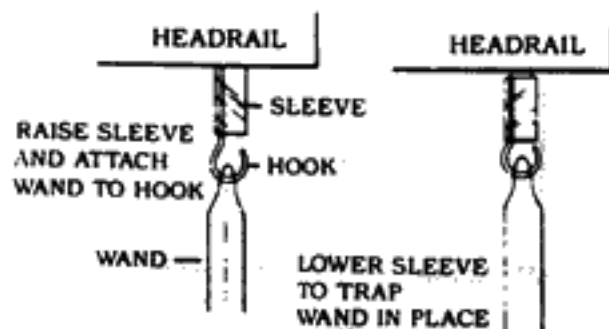


If your blind is not fitting snugly left to right, open the mounting brackets, remove the headrail, and pry out the two tabs at the end of the headrail a bit with a screwdriver.



WAND ATTACHMENT

Attach the wand to hook and slide sleeve down to trap wand in place.



Now you will be able to adjust the angle of the slats by turning the wand. **CAUTION:** Do not continue to turn the wand after it starts to bind as this may damage the tilt mechanism.

VALANCE INSTALLATION

If your blind was ordered as an outside mount, the valance is supplied with pre-mounted returns. No returns are included with an inside mount.

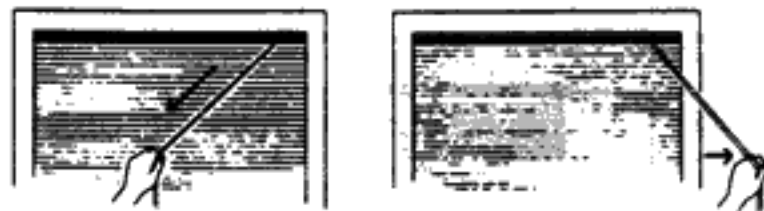
Attach valance clips to the back of the valance. Position the valance on the headrail and snap into place.



The valance may be detached and re-installed as required.

ADJUSTING BLIND HEIGHT

To raise or lower your blind, pull the cords downward and toward the center of the blind. Raise or lower the blind to the desired height.

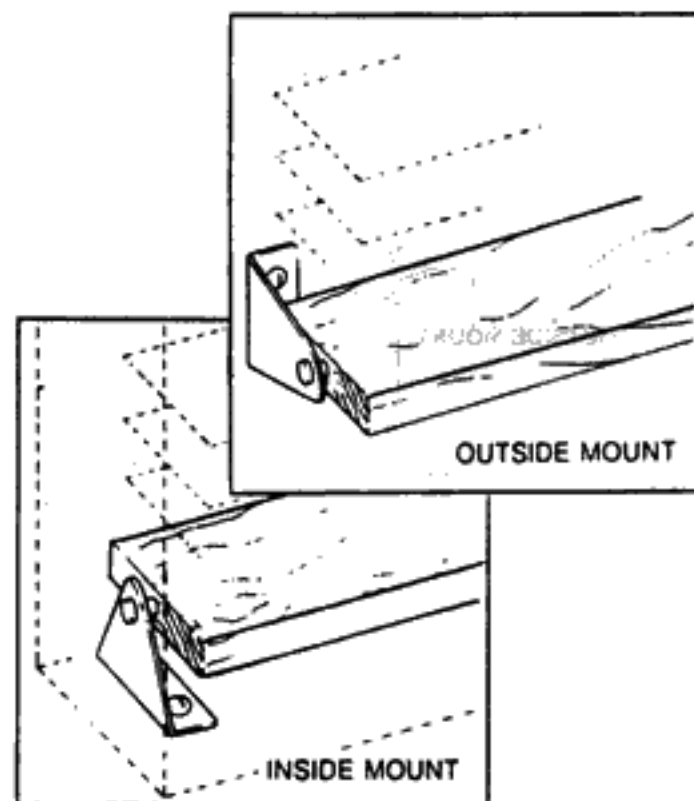


Now pull the cords back past the end of the blind and release them, they will lock automatically.

OPTIONAL HOLD DOWN BRACKETS

If you ordered optional hold down brackets to keep the bottomrail stationary, follow these instructions.

Fully extend the blind. Insert the brackets in hole as shown in a and b. Mark the hole location where the screws are to be inserted. Try to keep the holes at least 1/4" from the edge of the wood to avoid splitting. You may use a 1/16" drill bit, or if no drill is available, use a finishing nail and hammer to make small holes to start the screws.



CLEANING

Your blind is easily cleaned by extending it full length and closing the louvers (not tightly) first in one direction and then the other. Wipe them with a soft cloth, or clean them with your vacuum cleaner's brush attachment.

Care for these blinds as you do other wood furnishings. **DO NOT USE WATER OR ABRASIVE CLEANERS.**

These blinds are made of fine, natural woods, carefully finished. Irregularities which may appear from slat to slat are characteristic of genuine wood and contribute to its beauty.